

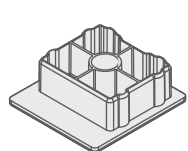
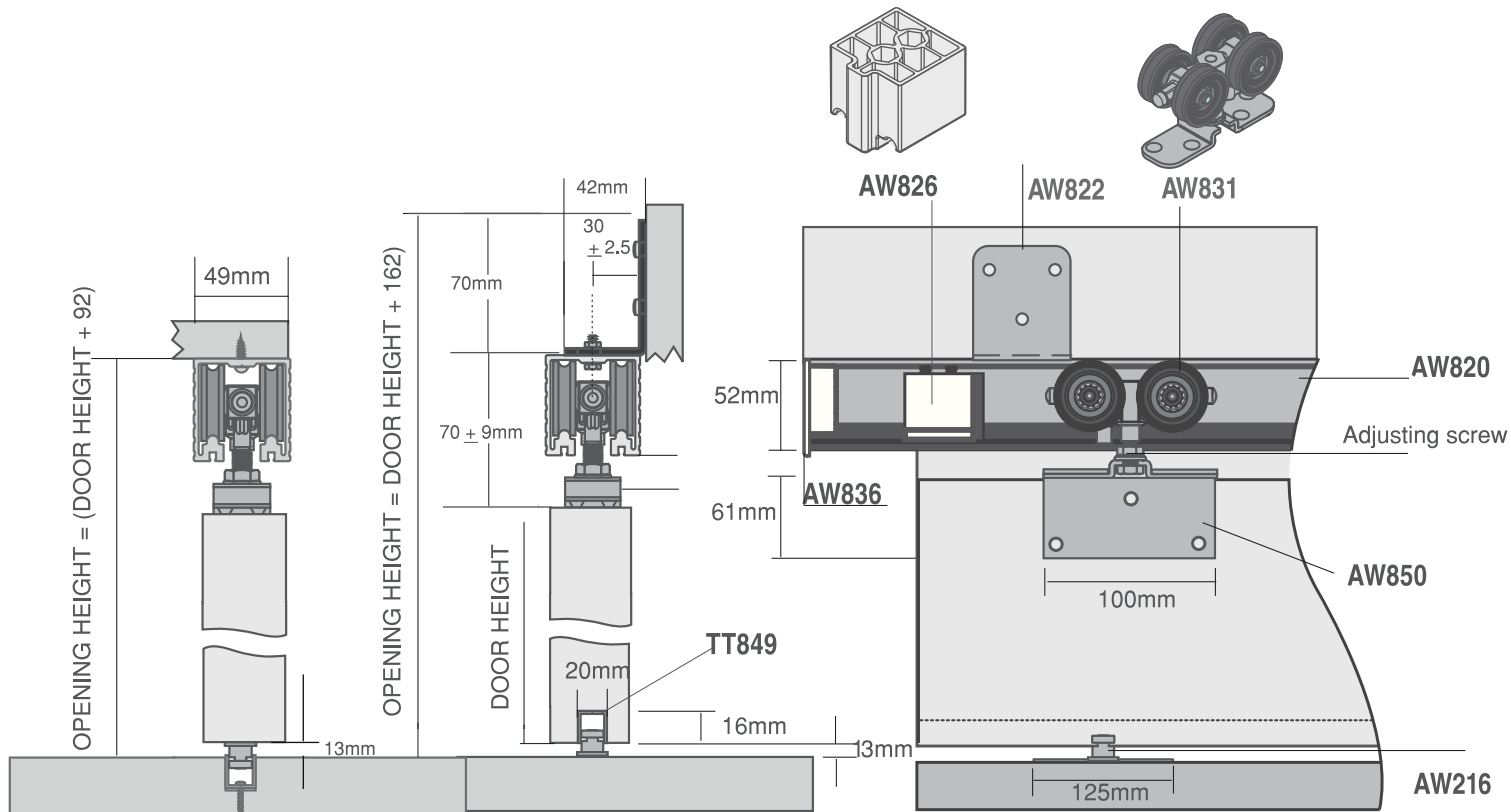
SLIDING DOOR TRACK SYSTEM

PER DOOR

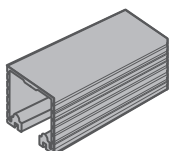
FEATURES

- Heavy duty 240kg system
- Aluminium clear anodised track
- Ribbed face reduces bulk appearance
- Enclosed track to increased security
- Stainless steel for external or internal use
- 4-wheel carriage with concave tyred wheels.
- Bearings are sealed ZZ bearings.
- Height adjustable without locknut.
- Lateral adjustment in wall mount brackets.
- Carrier incorporates rubber bumpers.
- Concealed door stops in track

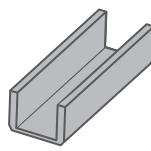
- AW831** Wheel assembly with top hanger bracket
- AW822** Track wall mount bracket
- AW820** Aluminium track 6000 clear anodised
- AW836** Track end cap
- AW826** Nylon door stop
- AW850** Door side-fix bracket
- TT849** Aluminium guide channel - 6000mm mill
- AW216** Roller guide
- AW832** Top hanger bracket



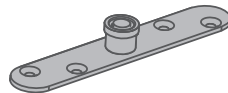
AW836



AW820



TT849



AW216