

# Ball Bearing

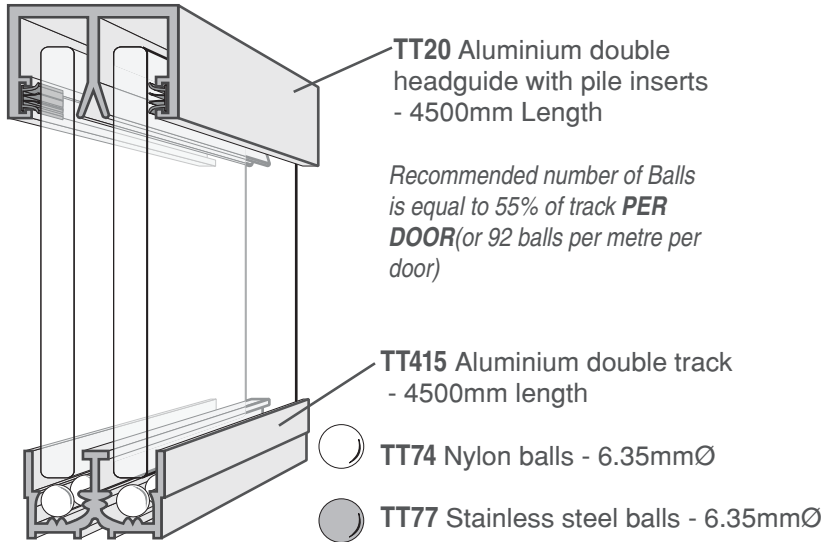
# 21kg

## SLIDING DOOR SYSTEM

DOUBLE TRACK FOR 6MM FLOAT AND 6.38MM LAMINATED GLASS PANELS

DESIGNED FOR INTERNAL USE ONLY

STOCK FINISHES: MILL AND CLEAR ANODISED



## PER DOOR

### RECOMMENDED

Maximum Sizes:

1.40 Sq mt each panel

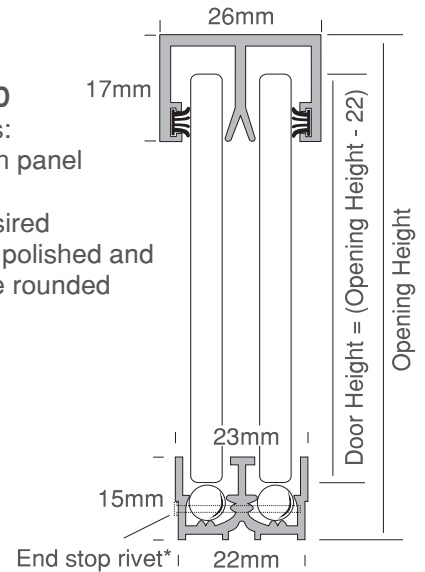
1220mm High

Overlap: As desired

All Edges to be polished and

all corners to be rounded

to 10mm radius



\*End stop rivet is only required when doors have an open end(s).

# Plastic Track

# 6kg PER DOOR

DOUBLE TRACKS FOR 5MM GLASS OR MIRROR PANELS

DESIGNED FOR INTERNAL USE ONLY

Cowdroy Plastic Tracks are ready to use and are easy to install. Both the head guide and track are the same width to permit identical grooving to the top and bottom of the opening. The Track is supplied with pre-drilled pin holes for easy fixing. This track is also suitable for 5mm thick hardboard panels.

### RECOMMENDED

Maximum Sizes:

0.562 Sq mt ea panel

760mm High

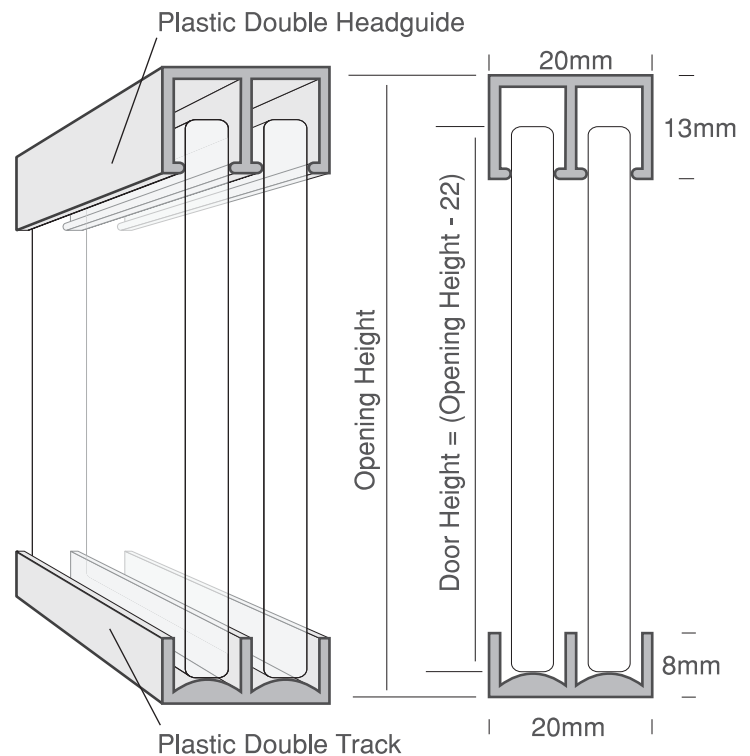
Overlap: As desired

Vertical edges must be polished.  
Bottom edge **MUST** be polished and corners **MUST** be rounded to 10mm radius

Available Only As Pre-packaged Sets

**P26** Packaged set for 2 doors - 1200mm opening white or brown

**P26** Packaged set for 2 doors - 1800mm opening white or brown



Headguide and Track should **ALWAYS** be MOUNTED PLUMB and to FIRM, LEVEL SURFACES



**COWDROY PRODUCTS LIMITED**

Website: [www.cowdroy.co.nz](http://www.cowdroy.co.nz)

HEAD OFFICE & SHOWROOM  
18 Kerwyn Avenue, East Tamaki,  
Auckland, New Zealand 2141  
Phone: 09 274 7279 Fax: 09 274 4453  
Email: [sales@cowdroy.co.nz](mailto:sales@cowdroy.co.nz)

SOUTH ISLAND OFFICE  
56 Treffers Road  
Sockburn, Christchurch 8042  
Ph: 03 943 2060 Fax: 03 943 2061  
Email: [chch@cowdroy.co.nz](mailto:chch@cowdroy.co.nz)