



# Frameless Glass Cavity



# Frameless Glass Cavity



Frameless Glass Cavity Sliders designed and engineered by Cowdroy.

Enjoy the elegant, sophisticated fashion statement these Cavity units offer.

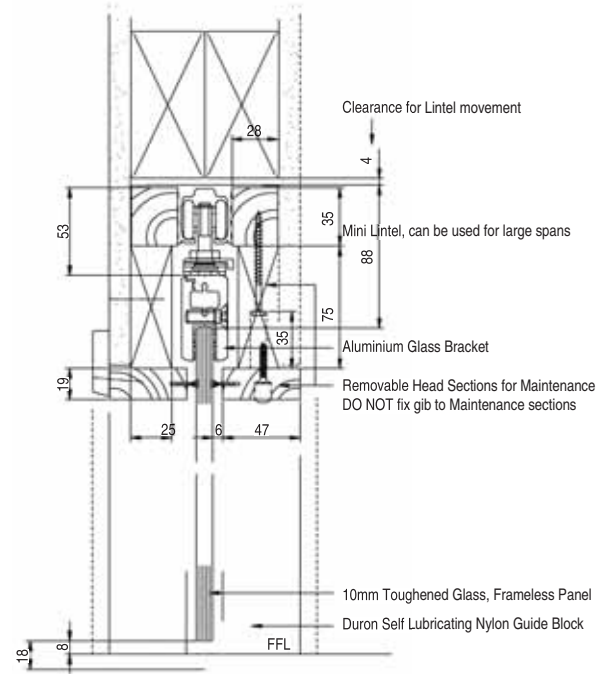
Available as single glass doors or double bi-parting glass doors. Cowdroy's engineers have designed a Cavity unit to accommodate 10mm and 12mm Toughened Glass.

Two track systems are available the 100kg Trojan Track and the 175kg Heavy Duty Triumph Track system.

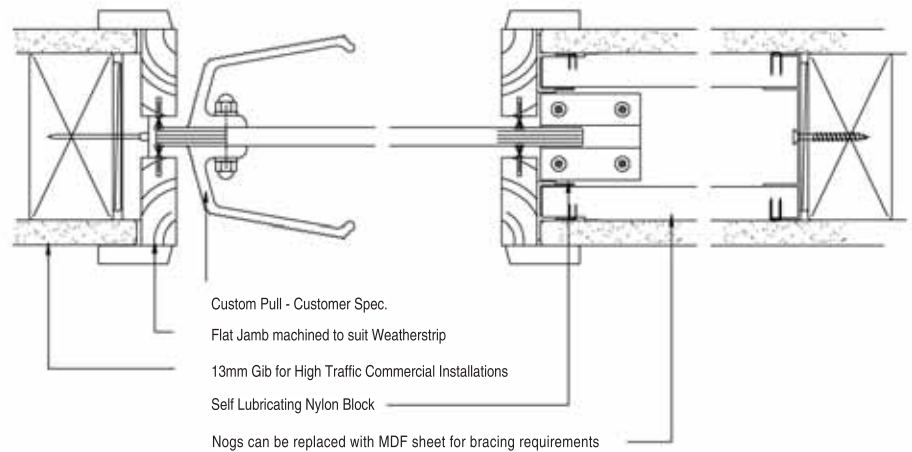
Both track systems are renowned for their consistently smooth action and are backed by Cowdroy's ten year warranty.

Access our full range of products on [www.cowdroy.co.nz](http://www.cowdroy.co.nz)

## Vertical Section



## Horizontal Section



## Some Glass Options

Film

EtchLite

Clear

Bronze

Grey

Green

## Specifications

Stud Size:	90mm, 94mm, 140mm, 190mm
Jamb Type:	Flat or Grooved
Jamb Finish:	Pine, Rimu or as specified
Lining Thickness:	10mm or 13mm
Door Size:	Height x Width
Door Description:	10mm or 12mm Glass



18 Kerwyn Ave, East Tamaki, Auckland  
 P.O. Box 58086, Greenmount, Auckland  
 Email: [sales@cowdroy.co.nz](mailto:sales@cowdroy.co.nz)  
 Phone: (09) 274 7279 or (09) 274 3777  
 Fax 09 274 4453

Unit B, 13 Parkhouse Rd, Sockburn, Christchurch  
 Email: [chch@cowdroy.co.nz](mailto:chch@cowdroy.co.nz)  
 Phone: (03) 943 2060  
 Fax: (03) 943 2061