



Ultimate Aluminium Door





Ultimate Aluminium Door

Slim, sleek and stylish, the Cowdroy 'Ultimate Aluminium Door' has been designed to enhance modern residential homes as well as commercial interior fit-outs.

Available for use in Single, Dual and Triple Cavity Sliders, Surface Mounted Slider, Bi-fold Configurations, Hinged, Pivoted and Fixed Panels. The door panel is designed for infills from 4mm to 12mm in thickness.

These infills may be glass, melamine, shoji screens or other products your architect or designer may specify.

See below for different Glass Lite configurations.

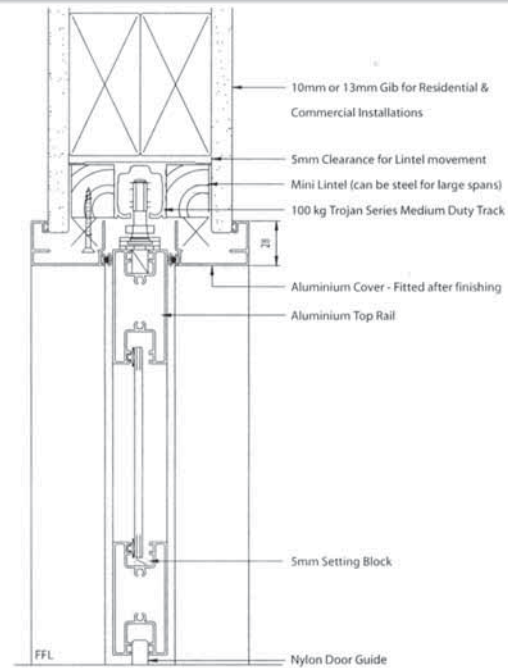
Extruded aluminium styles are available in natural anodised finish or standard powder coated colours. If you require a special finish Cowdroy will research and develop where possible.

Cowdroy have designed a two-piece aluminium closing jamb for the Cavity Slider. The closing jamb cap covers visible fixing points, whilst the jambs attached to the Cavity clip on and off.

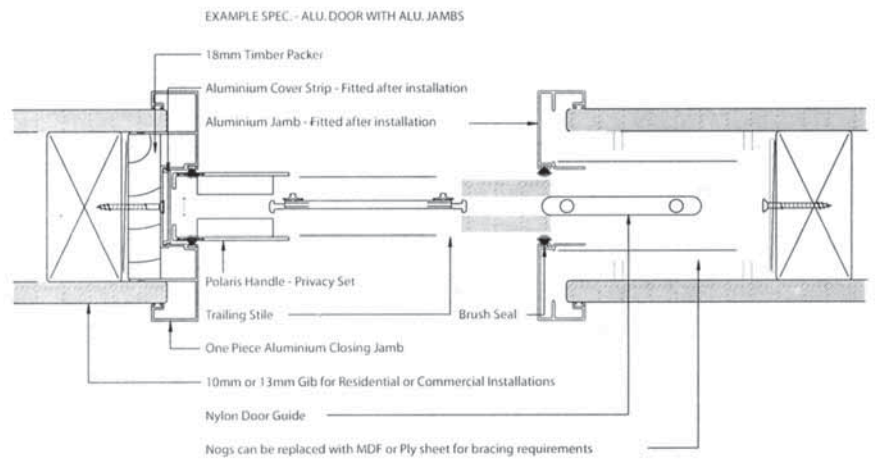
Tracks used for the Cavity Slider and Surface Sliding Doors are the Triumph Track which can support up to 68kgs or the Trojan Track which can support up to 100kgs. Both tracks are renowned for their consistently smooth action and are backed by Cowdroy's comprehensive ten year warranty.

Access our full range of products on www.cowdroy.co.nz

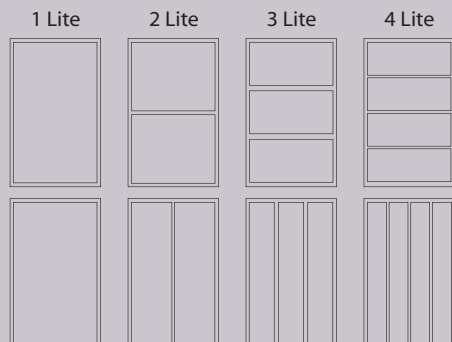
Vertical Section



Horizontal Section



Glass Lite Configurations



Specifications

Stud Size:	90mm x 94mm x 140mm
Jamb Type:	Flat or Grooved N.B. Grooved Aluminium 90mm stud only
Jamb Finish:	Pine, Rimu, Aluminium or other
Lining Thickness:	10mm or 13mm
Door Size:	Height x Width
Door Description:	Ultimate Aluminium



18 Kerwyn Ave, East Tamaki, Auckland
 P.O. Box 58086, Greenmount, Auckland
 Email: sales@cowdroy.co.nz
 Phone: (09) 274 7279 or (09) 274 3777
 Fax 09 274 4453

Unit B, 13 Parkhouse Rd, Sockburn, Christchurch
 Email: chch@cowdroy.co.nz
 Phone: (03) 943 2060
 Fax: (03) 943 2061