

## SLIDING DOOR TRACK SYSTEMS

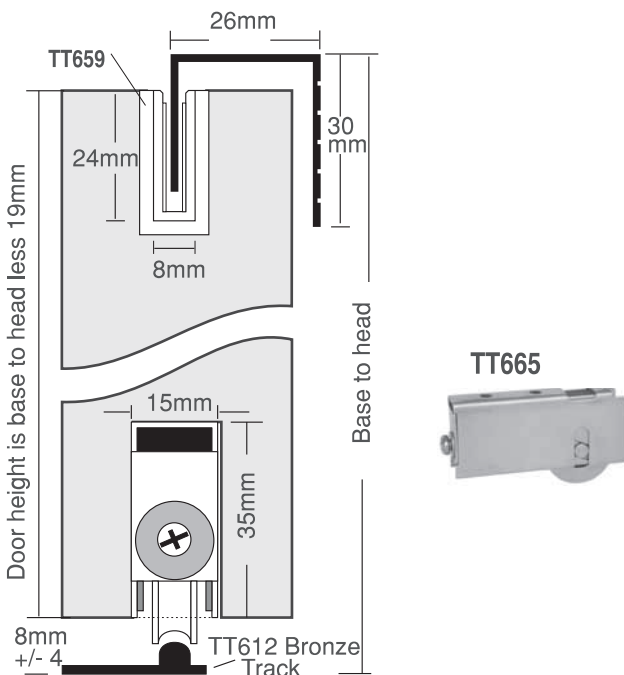
PER DOOR

### FEATURES:

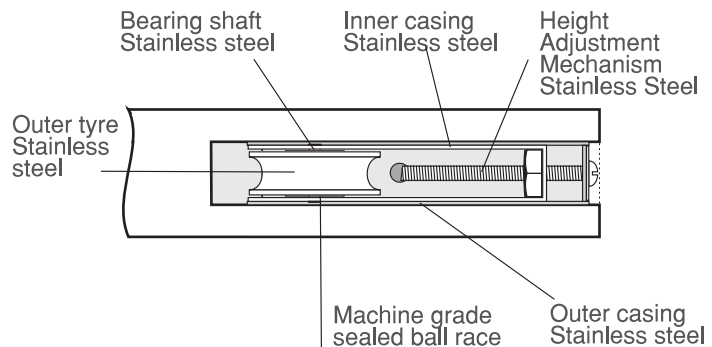
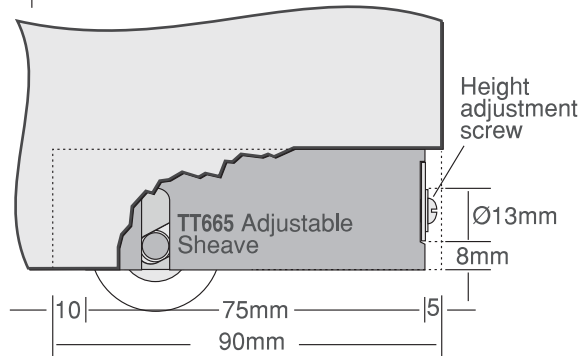
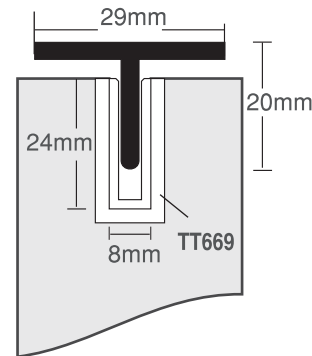
- Multiple doors bottom rolling
- Heavy duty height adjustable sheave fully stainless steel
- Suitable for external use
- Manganese bronze track
- Optional head guide block - for noise reduction
- Alternative pelmet guide and pelmet guide block to aid with weather proofing

- TT665** Adjustable sheave stainless steel
- TT612** Manganese bronze track - 2500, 3000, 4500 and 6000mm undrilled  
4500 & 6000mm pre-drilled and countersunk
- TT208A** Aluminium head guide - 2500, 3000, 4500 & 6000mm mill undrilled  
4500 & 6000mm mill pre-drilled & countersunk
- TT658** Aluminium pelmet guide - 4500 & 6000mm bronze anodised & clear anodised undrilled  
4500 & 6000mm bronze anodised & clear anodised pre-drilled - Optional
- TT659** Nylon pelmet guide block - Optional
- TT669** Nylon head guide block

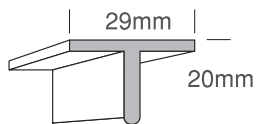
Top Groove Joinery Detail using  
TT658 Pelmet Guide and TT659 Pelmet  
Guide Block - 24mm D x 8mm T



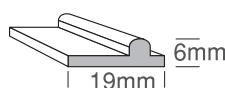
Top groove joinery detail using  
TT208A Head Guide & TT669 Head  
Guide Block - 24mm D x 8mm T



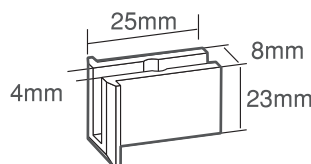
TT208A Head Guide



TT612 Manganese  
Bronze Track



TT669 Head Guide Block  
Nylon. For use with TT208A



TT659 Pelmet Guide Block  
- Nylon. For use with TT658

