

Door Guides

DOOR TRACK SYSTEMS

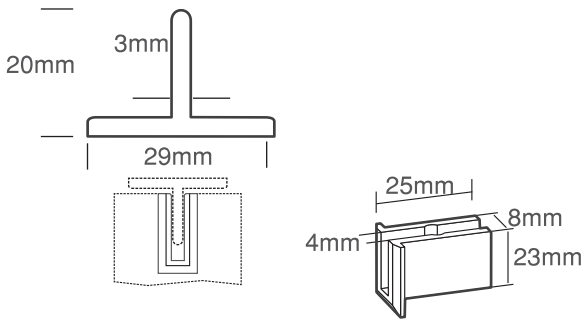
TT208A CONTINUOUS ALUMINIUM DOOR GUIDE ALSO SUITABLE FOR USE AS A HEADGUIDE

Available in 2500, 3000, 4500 & 6000mm - undrilled 4500 & 6000mm - pre-drilled

TT669 Nylon Head Guide Block
Used when TT208A is used as a continuous guide.

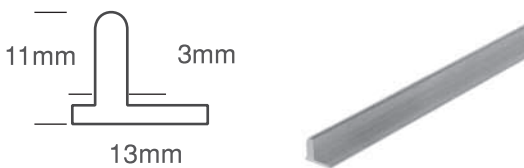


TT216 ALUMINIUM HEAVY DUTY DOOR GUIDE



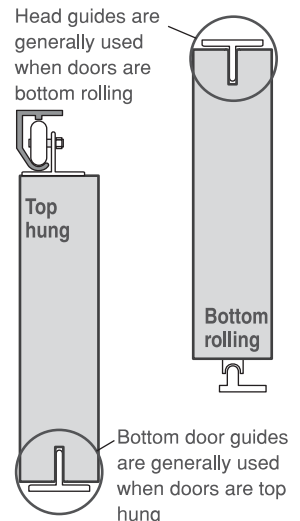
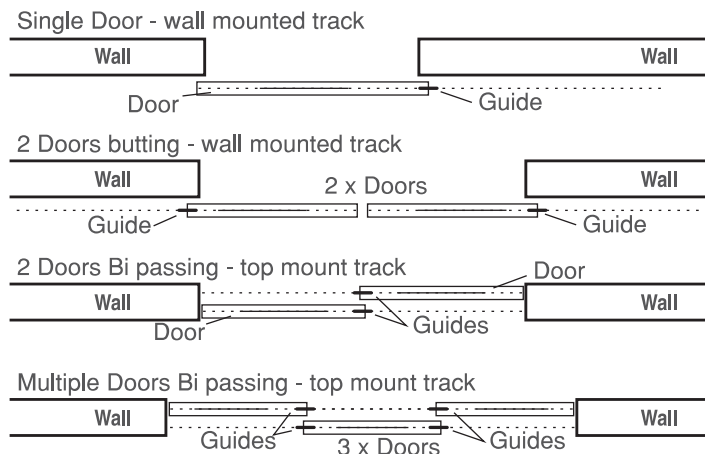
TT419 CONTINUOUS ALUMINIUM DOOR GUIDE ALSO SUITABLE FOR USE AS A HEADGUIDE

Available in 2000, 2500, 3000 and 5000mm in Mill finish and 5000mm in Clear anodised

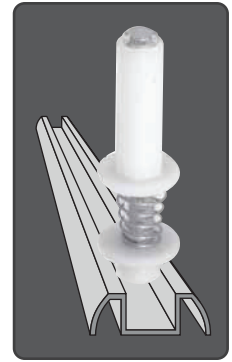
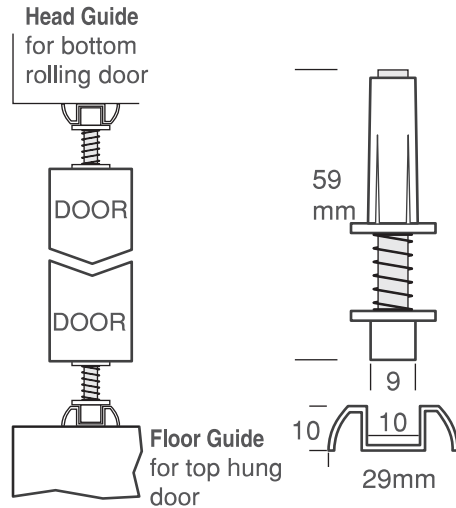


BOTTOM DOOR GUIDE POSITIONING

Continuous door guides may be used in any sliding door and some folding door Situations but are especially recommended for multi-door openings



S310 SPRING LOADED GUIDE PACK OF 2 D310 OR D310SS SPRING LOADED GUIDE STAINLESS STEEL



D321 ALUMINIUM GUIDE CHANNEL Available in 4500mm

S684 NYLON CAVITY DOOR GUIDE SET PACK OF 1 TT684 SET - 1 LH & 1 RH

