

MKII Sashless

58kg

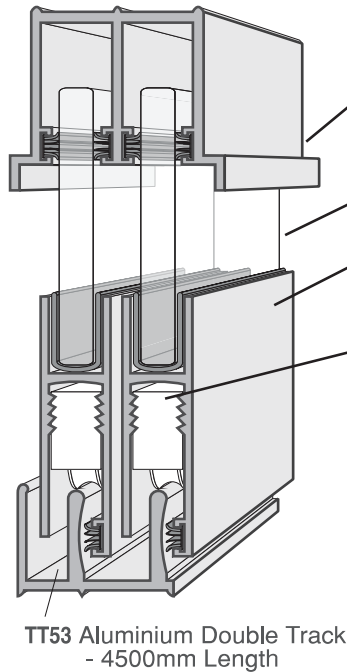
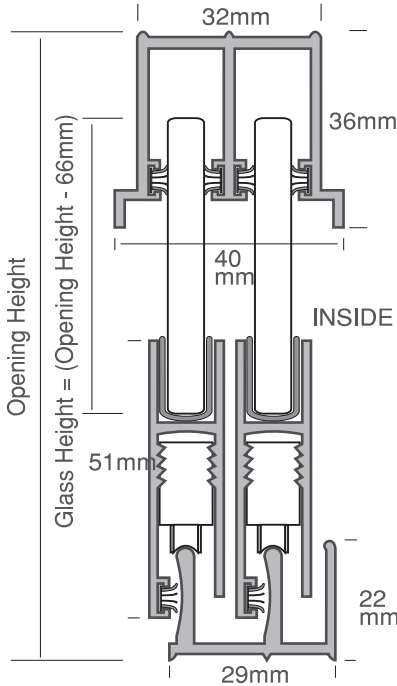
SLIDING WINDOW SYSTEM

PER WINDOW

DOUBLE TRACK FOR 6MM FLOAT & 6.38MM LAMINATE GLASS PANELS

Stock Finishes: Mill and clear anodised

NOT RECOMMENDED FOR EXTERNAL USE IN EXPOSED CONDITIONS



TT22 Aluminium double headguide with pile inserts - 4500mm Length

TT87 Glazing rubber

TT89 Glazing wedge

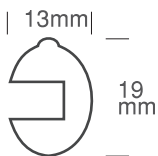
TT52 Aluminium race section With pile insert - 4500mm length

TT520 Adjustable Sheave

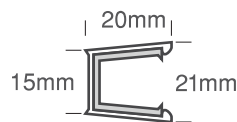
OVERLAP: 100mm
all edges to be polished and all corners to be rounded or tipped

RECOMMENDED GLASS SPECIFICATIONS:
Maximum Sizes:
3.25 m² each panel
1525mm High
2135mm Wide

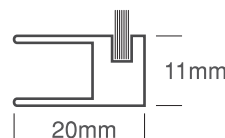
TP6 - Clear P.V.C. Weather Strip
30m Roll



TT129 - Aluminium Mullion Channel - 4500mm Length
TT129A - Black P.V.C. Mullion Insert - 30m Roll



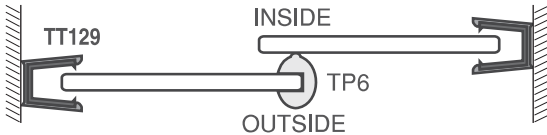
TT130 - Aluminium Vertical edge brace - 4500mm length with pile insert



TT135 - Clear P.V.C. Vertical edge brace - 3000mm length with pile insert

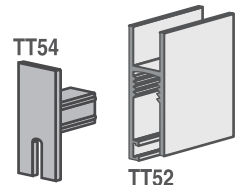


USE OF MULLION AND TP6 WEATHER STRIP

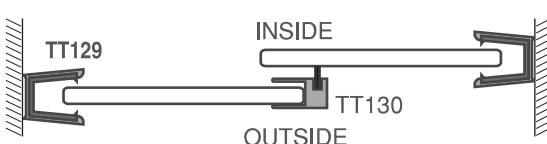


Does not comply to any weathering standard.

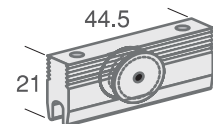
TT54 Nylon end plate
Available in black or white
(Fits into TT52 race)



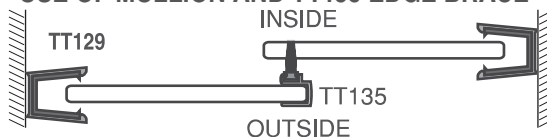
USE OF MULLION AND TT130 EDGE BRACE



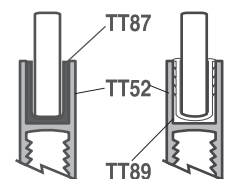
TT520 Adjustable sheave with stainless steel wheel



USE OF MULLION AND TT135 EDGE BRACE



TT87 Glazing rubber
20 or 30m Roll or per m
TT89 Glazing wedge
40m Roll or per m
(Used to secure glass into the TT52 race)



COWDROY PRODUCTS LIMITED

Website: www.cowdroy.co.nz

HEAD OFFICE & SHOWROOM
18 Kerwyn Avenue, East Tamaki,
Auckland, New Zealand 2141
Phone: 09 274 7279 Fax: 09 274 4453
Email: sales@cowdroy.co.nz

SOUTH ISLAND OFFICE
56 Treffers Road
Sockburn, Christchurch 8042
Ph: 03 943 2060 Fax: 03 943 2061
Email: chch@cowdroy.co.nz