

# Robemaker

# 40kg

## WARDROBE AND CUPBOARD DOORS

## PER DOOR

### FEATURES:

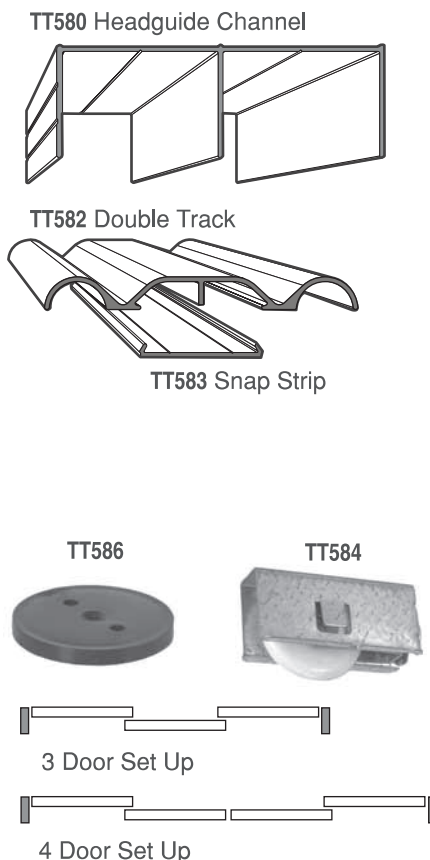
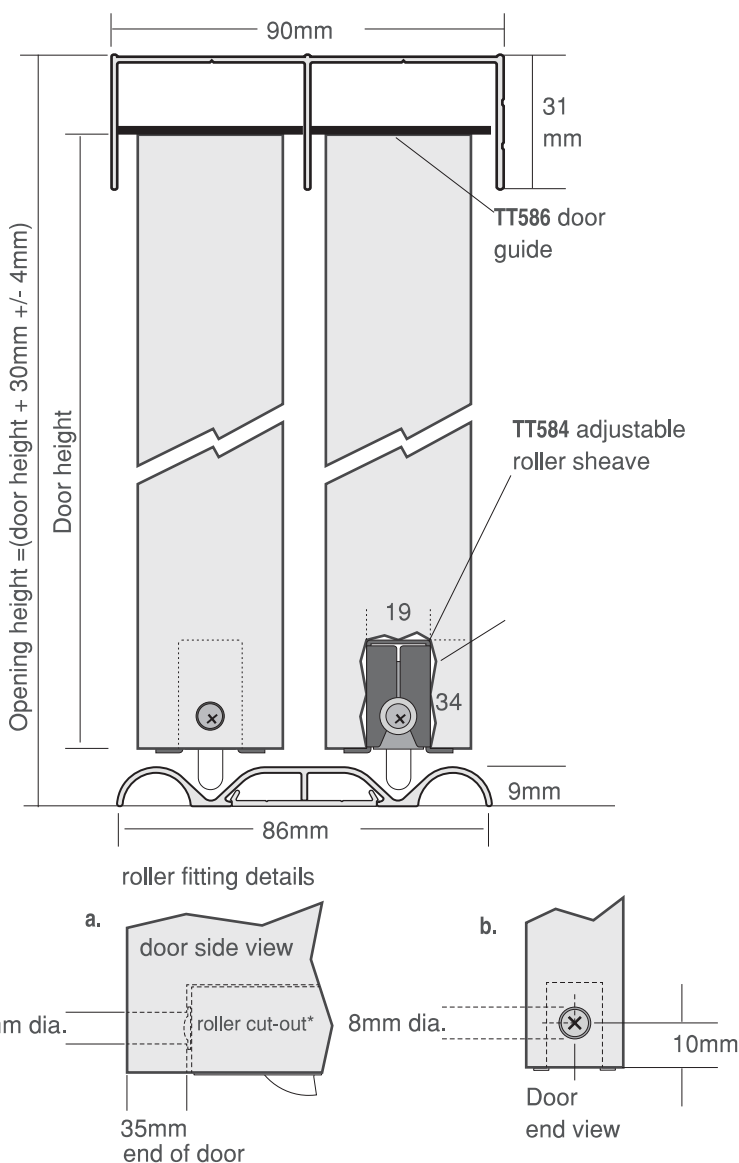
- Snap-Strip bottom track fixing - no unsightly screws
- Maximum door load - 40kg per door
- Smooth running adjustable roller sheave
- Slimline aluminium extrusions - available in gloss white and clear anodised.
- Suits 2, 3 and 4 door openings
- All fixing hardware included
- Reversible headguide channel - grooved face or smooth face
- Suits door thickness 30mm (min.) to 40mm (max.)
- Double & Triple track available

### DOUBLE TRACK

- P580** Packaged set for 2 doors 1200mm
- P580** Packaged set for doors 1500mm
- P580** Packaged set for doors 1800mm
- P580** Set for 3 doors 2400mm
- TT580** Headguide channel 6020mm
- TT582** Double track 6020mm
- TT583** Snap strip 6020mm

### TRIPLE TRACK

- P590** Packaged set for 3 doors 1800mm
- P590** Packaged set for 3 doors 2100mm
- P590** Packaged set for 3 doors 2400mm
- P590** Packaged set for 3 doors 2700mm
- TT590** Headguide Triple track @ 4840mm
- TT592** Bottom Triple track @ 4840mm



\*Door cut out for roller is:  
34mm h x 72mm w x 19mm t

### IMPORTANT:

H.M. Cowdroy highly recommend that the Snap Strip be fixed to a solid surface and not directly on carpeted or other such surfaces.



**COWDROY PRODUCTS LIMITED**

Website: [www.cowdroy.co.nz](http://www.cowdroy.co.nz)

HEAD OFFICE & SHOWROOM  
18 Kerwyn Avenue, East Tamaki,  
Auckland, New Zealand 2141  
Phone: 09 274 7279 Fax: 09 274 4453  
Email: [sales@cowdroy.co.nz](mailto:sales@cowdroy.co.nz)

SOUTH ISLAND OFFICE  
56 Treffers Road  
Sockburn, Christchurch 8042  
Ph: 03 943 2060 Fax: 03 943 2061  
Email: [chch@cowdroy.co.nz](mailto:chch@cowdroy.co.nz)