

Roller Bearing

45kg

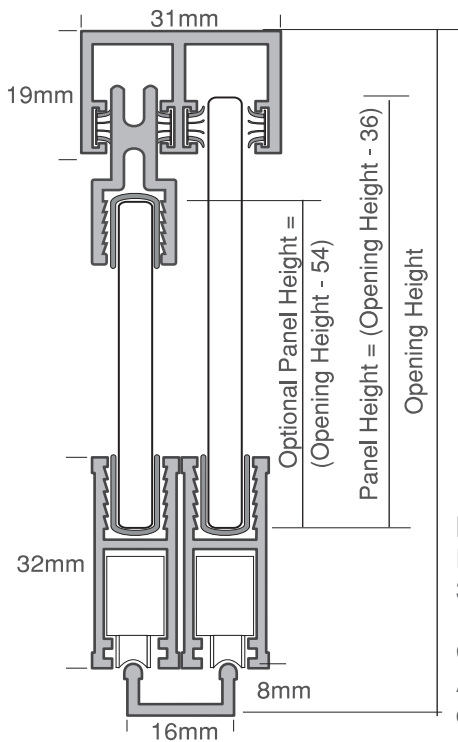
SLIDING DOOR SYSTEM

PER DOOR

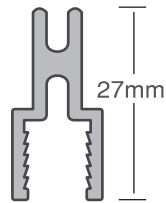
DOUBLE TRACK FOR 6MM FLOAT & 6.38MM LAMINATE GLASS PANELS

DESIGNED FOR INTERNAL USE ONLY

Stock finishes: Mill and clear anodised

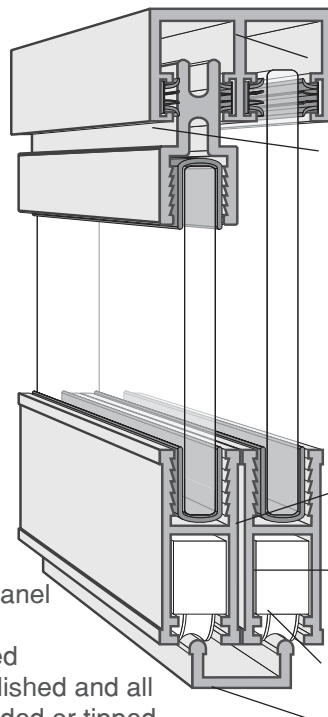


TT24 (Optional)



RECOMMENDED

Maximum sizes:
3.78 Sq mt each panel
1800mm high
Overlap: As desired
All edges to be polished and all corners to be rounded or tipped



TT21 Aluminium double headguide with pile inserts - 4500mm length

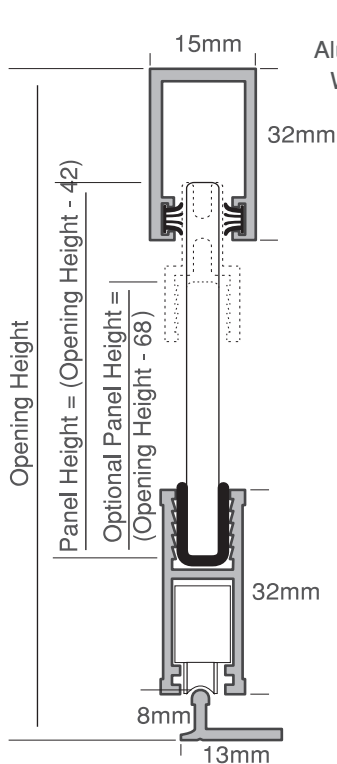
TT24 Aluminium head race (Optional) 4500mm Length

TT87 Glazing rubber
TT89 Glazing wedge

TT48 Aluminium race section
With pile insert
-4500mm length

TT500A & TT500B Adjustable sheave

TT47 Aluminium double track
- 4500mm length



TT23 Aluminium single headguide
With pile inserts - 4500mm Length

TT87 Glazing rubber
TT89 Glazing wedge

TT48 Aluminium race section
4500mm Length

TT500A or TT500B Adjustable sheave

TT416 Aluminium single track
5000mm length

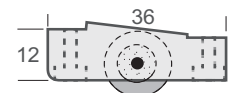
NOT RECOMMENDED FOR EXTERNAL USE IN EXPOSED CONDITIONS APPLICABLE TO BOTH SYSTEMS

TT46 Nylon end plate fits into TT48 race Available in white, black, & silver

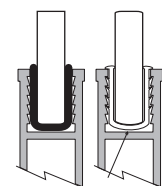
TT48

TT46

Adjustable Sheave -
TT500A Stainless steel wheel (45kg per pair)
TT500B nylon wheel (30kg per pair)



TT87 Glazing rubber 20 or 30m roll or per M
TT89 Glazing wedge 40m roll or per M used to secure glass into TT48 and TT24



TT87 TT89



COWDROY PRODUCTS LIMITED

Website: www.cowdroy.co.nz

HEAD OFFICE & SHOWROOM
18 Kerwyn Avenue, East Tamaki,
Auckland, New Zealand 2141
Phone: 09 274 7279 Fax: 09 274 4453
Email: sales@cowdroy.co.nz

SOUTH ISLAND OFFICE
56 Treffers Road
Sockburn, Christchurch 8042
Ph: 03 943 2060 Fax: 03 943 2061
Email: chch@cowdroy.co.nz