

**cewdroy**

# EXPOSED 90

DECORATIVE SLIDING DOOR HARDWARE | 90KG PER DOOR



# EXPOSED 90

90KG PER DOOR

## DECORATIVE SLIDING DOOR HARDWARE

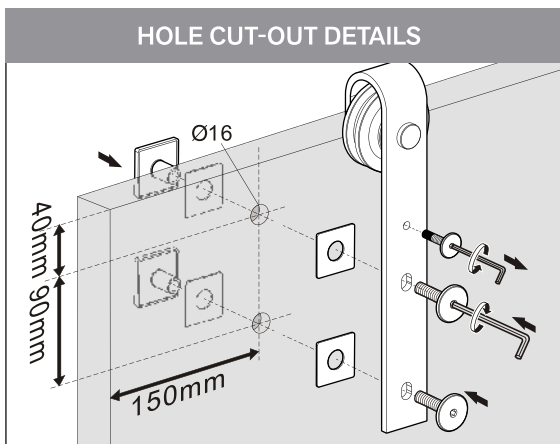
Cowdroy's new Exposed 90 Sliding Door Set is designed to add a special, sleek touch to the home or office. Incorporating a stylish industrial look and smooth functionality, it will modernise ordinary looking doors and doorways.

Featuring robust steel components combined with large, high-density rollers, this system is not only smooth and effortless to roll, it is extremely quiet in performance making it an ideal all-rounder for bathrooms, ensuites, laundries, bedrooms and hallways.

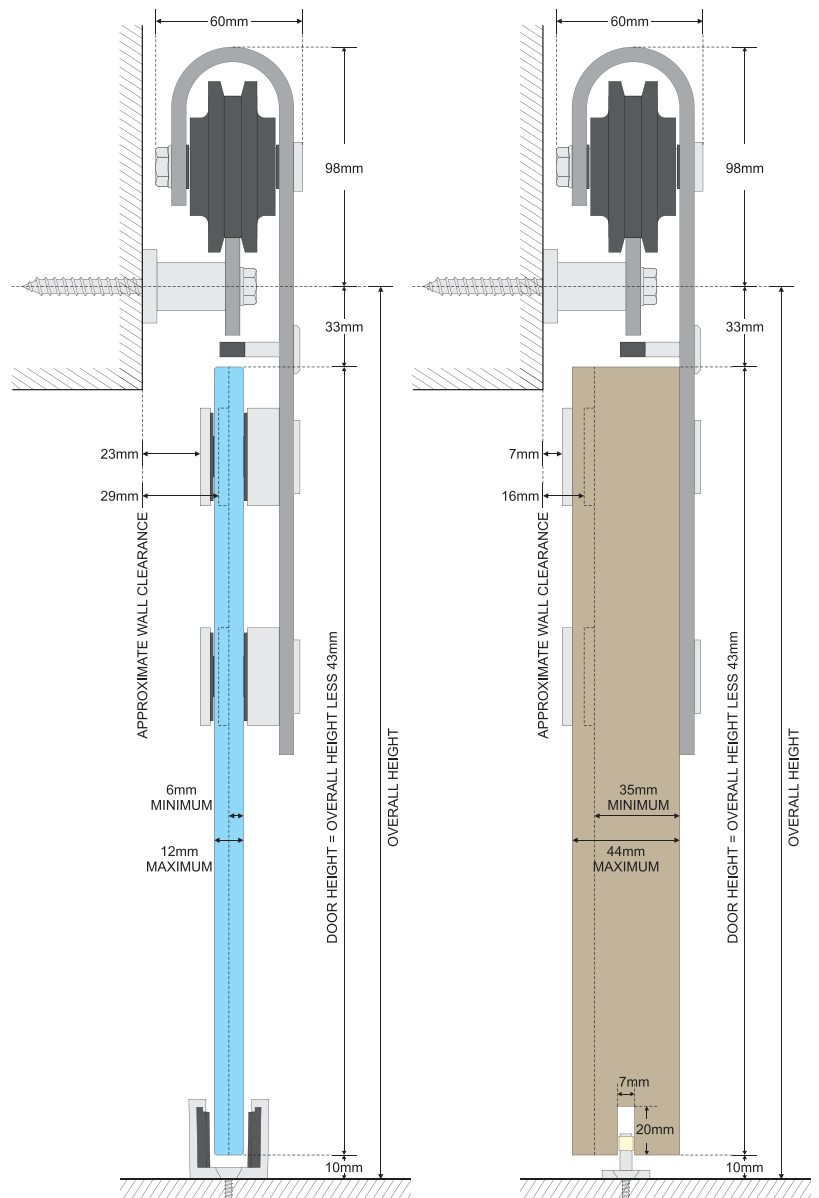
Available in a choice of full Stainless Steel or Powder Coat Black mild steel, the Exposed 90 system comes in a complete boxed set including all the hardware components, track and fittings for one door up to 1220mm wide.

### FEATURES

- Choice of Stainless Steel or Powder Coat Black
- Robust hangers with large ergonomic wheels
- Pre-drilled steel track with wall mount fittings
- Suits both glass and timber doors up to 90kg
- Fixing hardware and easy-to-follow instructions



TECHNICAL SPECIFICATIONS	
Major Components (SS):	304 Stainless Steel
Major Components (Black):	Mild Steel
Track (Pre-drilled):	2450mm 40mm x 6mm
<b>Roller:</b>	
Wheel:	High density polymer
Load:	90kg/panel
Max. Opening Width:	1220mm
Min. Door Thickness (Timber):	35mm - 44mm
Min. Door Thickness (Glass):	6mm - 12mm
Colour & Code:	Stainless Steel (TT26020) Powder Coat Black (TT26028)



## COMPONENTS



2450mm Track x 1



Hangers x 2



Glass door guide x 1



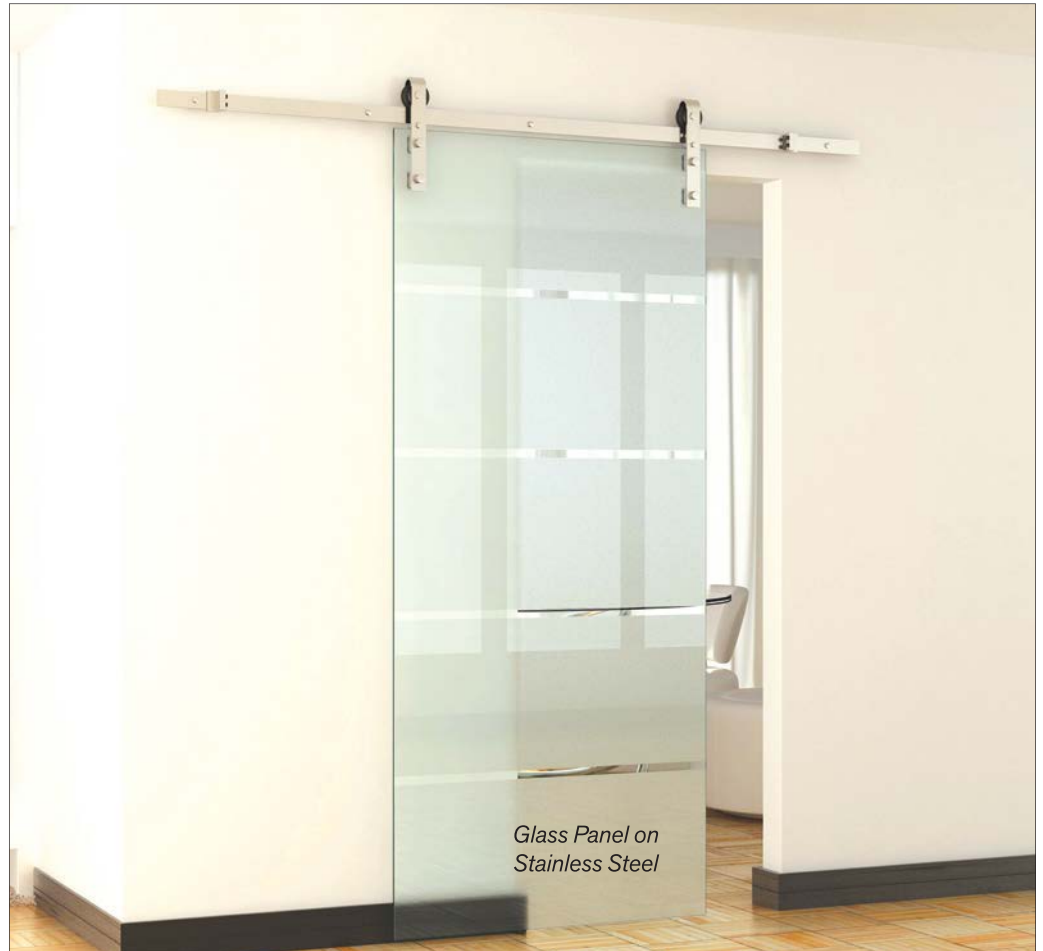
Wall spaces & bolts x 6



Timber door guide x 1



Track stops x 2



Glass Panel on  
Stainless Steel



Timber Panel on  
Powder Coat Black

## NEW ZEALAND

**18 Kerwyn Avenue, East Tamaki,  
Auckland, New Zealand 2141**

**Phone: 09 274 7279 Fax: 09 274 4453  
Email: sales@crowdroy.co.nz**

**56 Treffers Road  
Sockburn, Christchurch 8042  
Ph: 03 943 2060 Fax: 03 943 2061  
Email: chch@crowdroy.co.nz**

## AUSTRALIA

38 Redfern St  
Wetherill Park 2164  
Phone: (02) 9604 3000  
Fax: (02) 9604 8129  
Sales Fax: (02) 9609 3694

### Melbourne

U1 / 34-36 Deans Court  
Dandenong South, VIC 3175  
Ph: 1800 269 376  
Fax: (03) 9791 6759

### Adelaide

Unit 2/52 Wodonga St  
Beverly, SA 5009  
Ph: 1800 269 376  
Fax: (02) 9604 8129

### Perth

2 Meares Way  
Canning Vale, WA 6155  
Ph: (08) 9455 5354  
Fax: (08) 9455 5461

### Townsville

U1/42 Carmel St,  
Garbutt, QLD 4814  
Ph: (07) 4779 5122  
Fax: (07) 4725 5495

### Hobart

ACCESS HARDWARE Pty Ltd.  
Goodman Cres., Invermay,  
Launceston, 7248  
Ph: (03) 6324 4900  
Fax: (03) 6324 4901

### Brisbane

U1 / 90 Pritchard Rd  
Virginia, QLD 4014  
Ph: (07) 3265 3311  
Fax: (07) 3265 3733

# crowdroy

**COWDROY PRODUCTS LIMITED**

**Website: [www.crowdroy.co.nz](http://www.crowdroy.co.nz)**

